

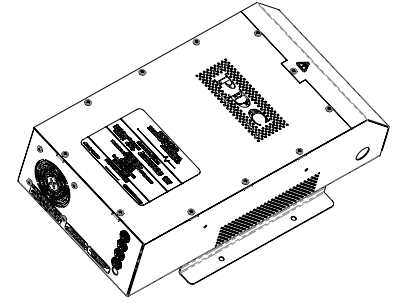
Smart DCLC Power Supplies

12V and 24V Series



Product Description

The PDC DC Lighting Controller (DCLC) is a modular multi-zone power supply system for LED lighting applications specifically designed to meet the unique requirements of an MRI scan room. A wide variety of power supply options allows the DCLC to fit any lighting application both from general workspace and directional lighting to custom cove lighting and PDC Image Ceiling® applications. The DCLC provides quiet, reliable power to anywhere in the health care facility. Multi-zone dimming is supported through either standard 0-10V wall box dimmers or optionally through PDC's mobile lighting application. Certified to meet MRI vendor EMI requirements. MRI applications require EMI free emissions for specific frequency bands. All outputs are linear DC and no pulse width modulation (PWM*).



12V Series Electrical Data

Part Number	Lighting Zones	Directional Lights	Input Voltage (Vac)	Max Input Current (A @120V)	Max Input (W)	Frequency (Hz)	Max Output Current (A)	Max Output (W)	BTU/hr
1-05-000019	RGB	-	120/240	4.1	410	50/60	25 A x 1 Output	324	293
1-05-000032	RGB	2 Fixtures	120/240	4.4	450	50/60	25 A x 1 Output 0.9A for Directionals	364	293

24V Series Electrical Data

Part Number	Lighting Zones	Directional Lights	Input Voltage (Vac)	Max Input Current (A @120V)	Max Input (W)	Frequency (Hz)	Max Output Current (A)	Max Output (W)	BTU/hr
1-05-000020	Max. 5	-	120/240	4.1	410	50/60	14 A x 1 Output	336	252
1-05-000033	Max. 5	2 Fixtures	120/240	4.4	450	50/60	14 A x 1 Output 0.9A for Directionals	376	252

Mechanical

	Minimum	Typical	Maximum	Units
Overall Dimensions	-	17.5 x 10.9 x 5	-	inches
Enclosure	Powder Coated Steel			-
Product Weight	-	-	Max. 17.1	lbs

Compliance

	Minimum	Typical	Maximum	Units
Regulatory Safety	-	Listed	-	UL 2108 CSA C22.2#250.0
CE	-	Pending	-	-
RoHS	-	Pending	-	2011/65/EU

Environmental

	Minimum	Typical	Maximum	Units
Operating Temperature	0	25	40	C
Humidity	20	-	80	%
Warranty	3	-	-	Years

Installation Notes

A PDC RF Filter is required for proper operation in the MRI suite
 *PWM is known to cause image artifacts, audible noise and light flicker



Intertek

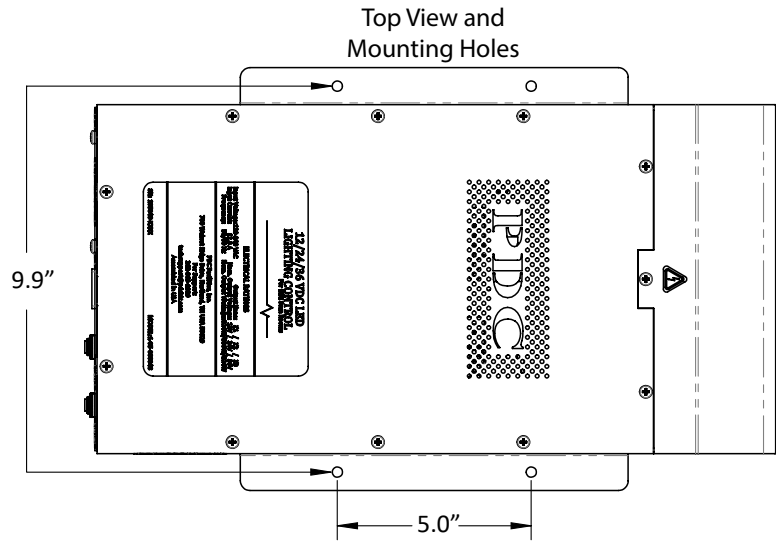
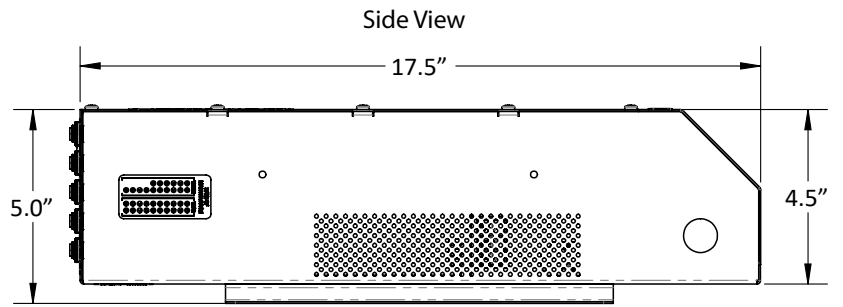
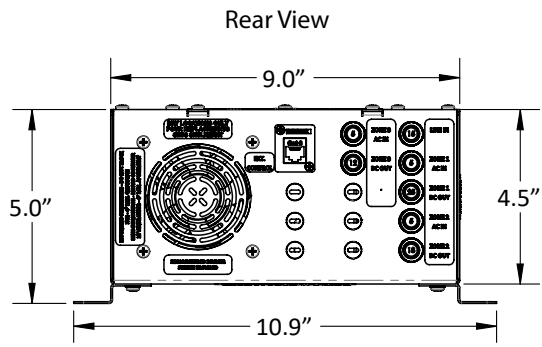


700 Walnut Ridge Drive
 Hartland, WI 53029
 Phone: 262-367-7700
 Web: www.pdcbiz.com
 Email: pdcbiz@pdcbiz.com

© 2018 PDC Facilities, Inc. All rights reserved.
 For informational purposes only. Content is subject to change.

Date Revised: 2018.08.29

Mechanical Diagram



700 Walnut Ridge Drive
Hartland, WI 53029
Phone: 262-367-7700
Web: www.pdcbiz.com
Email: pdcbiz@pdcbiz.com

© 2018 PDC Facilities, Inc. All rights reserved.
For informational purposes only. Content is subject to change.

Date Revised: 2018.08.29