

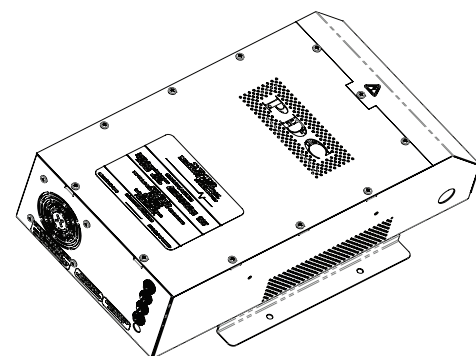
# DCLC Power Supplies

## 12V, 24V and 36V Series



### Product Description

The PDC DC Lighting Controller (DCLC) is a modular multi-zone power supply system for LED lighting applications specifically designed to meet the unique requirements of an MRI scan room. A wide variety of power supply options allows the DCLC to fit any lighting application both from general workspace and directional lighting to custom cove lighting and PDC Image Ceiling® applications. The DCLC provides quiet, reliable power to anywhere in the health care facility. Multi-zone dimming is supported through either standard 0-10V wall box dimmers or optionally through PDC's mobile lighting application. Certified to meet MRI vendor EMI requirements. MRI applications require EMI free emissions for specific frequency bands. All outputs are linear DC and no pulse width modulation (PWM\*).



### 12V Series Electrical Data

Part Number	Lighting Zones	Directional Lights	Input Voltage (Vac)	Max Input Current (A @120V)	Max Input (W)	Frequency (Hz)	Max Output Current (A)	Max Output (W)	BTU/hr
1-05-000006	1 Max	-	120/240	4.1	410	50/60	25 A x 1 Output	324	293
1-05-000007	2 Max	-	120/240	8.2	820	50/60	25 A x 2 Outputs	648	586
1-05-000008	3 Max	-	120/240	12.3	1230	50/60	25 A x 3 Outputs	972	880
1-05-000025	1 Max (+ Directionals)	2 Fixtures	120/240	4.4	450	50/60	25 A x 1 Output 0.9A for Directionals	364	293
1-05-000026	2 Max (+ Directionals)	2 Fixtures	120/240	8.5	860	50/60	25 A x 2 Outputs 0.9A for Directionals	688	586
1-05-000050	2 Max	-	120/240	12.3	1230	50/60	25 A x 1 Output, 18 A x 1 Output	972	880
1-05-000057	1 Max (+2 x Directionals)	4 Fixtures	120/240	4.7	490	50/60	25 A x 1 Output 0.9A for Directionals	404	293

### 24V Series Electrical Data

Part Number	Lighting Zones	Directional Lights	Input Voltage (Vac)	Max Input Current (A @120V)	Max Input (W)	Frequency (Hz)	Max Output Current (A)	Max Output (W)	BTU/hr
1-05-000009	1 Max	-	120/240	4.1	410	50/60	14 A x 1 Output	336	252
1-05-000010	2 Max	-	120/240	8.2	820	50/60	14 A x 2 Outputs	672	504
1-05-000011	3 Max	-	120/240	12.3	1230	50/60	14 A x 3 Outputs	1008	757
1-05-000027	1 Max (+ Directionals)	2 Fixtures	120/240	4.4	450	50/60	14 A x 1 Output 0.9A for Directionals	376	252
1-05-000028	2 Max (+ Directionals)	2 Fixtures	120/240	8.5	860	50/60	14 A x 2 Outputs 0.9A for Directionals	712	148
1-05-000053	2 Max	-	120/240	12.3	1230	50/60	14 A x 1 Output, 18 A x 1 Output	984	504
1-05-000058	1 Max (+2x Directionals)	4 Fixtures	120/240	4.7	490	50/60	14 A x 1 Output 0.9A for Directionals	416	252

### 36V Series Electrical Data

Part Number	Lighting Zones	Directional Lights	Input Voltage (Vac)	Max Input Current (A @120V)	Max Input (W)	Frequency (Hz)	Max Output Current (A)	Max Output (W)	BTU/hr
1-05-000012	1 Zone	-	120/240	4.1	410	50/60	9 A x 1 Output	324	293
1-05-000013	1 Zone	-	120/240	8.2	820	50/60	18 A x 1 Output	648	586
1-05-000014	2 Zones	-	120/240	8.2	820	50/60	9 A x 2 Outputs	648	586
1-05-000015	1 Zone	-	120/240	12.3	1230	50/60	25 A x 1 Output	972	880
1-05-000017	2 or 3 Zones	-	120/240	12.3	1230	50/60	9 A x 3 Outputs	972	880
1-05-000029	1 Zone (+ Directionals)	2 Fixtures	120/240	4.4	450	50/60	9 A x 1 Output 0.9A for Directionals	364	293
1-05-000030	1 Zone (+ Directionals)	2 Fixtures	120/240	8.5	860	50/60	18A x 1 Output 0.9A for Directionals	688	586
1-05-000031	2 Zones (+ Directionals)	2 Fixtures	120/240	8.5	860	50/60	9 A x 2 Outputs 0.9A for Directionals	688	586
1-05-000059	1 Max (+2x Directionals)	4 Fixtures	120/240	4.7	490	50/60	9 A x 1 Output 0.9A for Directionals	404	293
1-05-000060	1x Directionals	2 Fixtures	120/240	0.4	40	50/60	0.9A for Directionals	36	13
1-05-000061	2x Directionals	4 Fixtures	120/240	0.7	80	50/60	0.9A for Directionals	72	27
1-05-000062	3x Directionals	6 Fixtures	120/240	1	120	50/60	0.9A for Directionals	108	40



700 Walnut Ridge Drive  
 Hartland, WI 53029  
 Phone: 262-367-7700  
 Web: www.pdcbiz.com  
 Email: pdcbiz@pdcbiz.com

© 2018 PDC Facilities, Inc. All rights reserved.  
 For informational purposes only. Content is subject to change.

Date Revised: 2018.08.29

## Hybrid Series Electrical Data

Part Number	Vdc Out	Lighting Zones	Directional Lights	Input Voltage (Vac)	Max Input Current (A @120V)	Max Input (W)	Frequency (Hz)	Max Output Current (A)	Max Output (W)	BTU/hr
1-05-000045	12V/12V/24V	3 Max	-	120/240	12.3	1230	50/60	25 A x 2 Output, 14 A x 1 Output	984	839
1-05-000046	12V/12V/36V	3 Max	-	120/240	12.3	1230	50/60	25 A x 2 Output, 9 A x 1 Output	972	880
1-05-000047	12V/24/24V	3 Max	-	120/240	12.3	1230	50/60	25 A x 2 Output, 14 A x 2 Output	996	798
1-05-000042	12V/24V	2 Max	-	120/240	8.2	820	50/60	25 A x 1 Output, 14 A x 1 Output	660	545
1-05-000054	12V/24V	2 Max (+ Directionals)	2 Fixtures	120/240	8.5	860	50/60	25 A x 1 Output, 14 A x 1 Output 0.9A for Directionals	700	545
1-05-000048	12V/24V/36V	3 Max	-	120/240	12.3	1230	50/60	25 A x 1 Output, 14 A x 1 Output, 9 A x 1 Output	984	839
1-05-000043	12V/36V	2 Max	-	120/240	8.2	820	50/60	25 A x 1 Output, 9 A x 1 Output	648	586
1-05-000055	12V/36V	2 Max (+ Directionals)	2 Fixtures	120/240	8.5	860	50/60	25 A x 1 Output, 9 A x 1 Output 0.9A for Directionals	688	586
1-05-000049	12V/36V/36V	3 Max	-	120/240	12.3	1230	50/60	25 A x 1 Output, 9 A x 2 Output	972	880
1-05-000051	24V/24V/36V	3 Max	-	120/240	12.3	1230	50/60	14 A x 2 Output, 9 A x 1 Output	996	798
1-05-000044	24V/36V	2 Max	-	120/240	8.2	820	50/60	14 A x 1 Output, 9 A x 1 Output	660	545
1-05-000056	24V/36V	2 Max (+ Directionals)	2 Fixtures	120/240	8.5	860	50/60	14 A x 1 Output, 9 A x 1 Output 0.9A for Directionals	700	545
1-05-000052	24V/36V/36V	3 Max	-	120/240	12.3	1230	50/60	14 A x 1 Output, 9 A x 2 Output	984	839

## Mechanical

Overall Dimensions	10.875 W	5 D	17.5 L	Inches
Enclosure	Powder Coated Steel			-
Product Weight	-	-	Max. 17.1	lbs

## Compliance

	Minimum	Typical	Maximum	Units
Regulatory Safety	-	Listed	-	UL 2108 CSA C22.2#250.0
CE	-	Pending	-	-
RoHS	-	Pending	-	2011/65/EU

## Environmental

	Minimum	Typical	Maximum	Units
Operating Temperature	0	25	40	C
Humidity	20	-	80	%
Warranty	3	-	-	Years

## Installation Notes

A PDC RF Filter is required for proper operation in the MRI suite  
 \*PWM is known to cause image artifacts, audible noise and light flicker



Intertek

**PDC**

700 Walnut Ridge Drive  
 Hartland, WI 53029  
 Phone: 262-367-7700  
 Web: www.pdcbiz.com  
 Email: pdcbiz@pdcbiz.com

© 2018 PDC Facilities, Inc. All rights reserved.  
 For informational purposes only. Content is subject to change.

Date Revised: 2018.08.29

# Mechanical Diagram

