

White LED Curved Cove Lighting

MRI Compatible

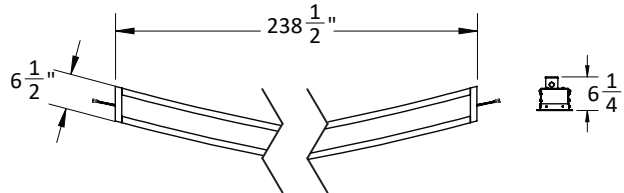


Product Description

The White LED Curved Cove Lights are designed for MRI suite applications with a non-ferrous assembly which can be mounted in recessed applications within the MRI room. Consult factory for custom shapes. Contains no on-board electronics therefore will not interfere with MRI imaging. Certified to meet MRI vendor EMI requirements. MRI applications require EMI free emissions for specific frequency bands. All drive circuitry employs linear regulation and no pulse width modulation (PWM*).

Performance Summary

Input Power: 23 watts
Limited Warranty: 3 years
Lifetime: Designed to last 50,000 hours
Dimming: Linear



Mechanical

	Minimum	Typical	Maximum	Units
Package	-	LED Strip	-	-
Electrical Connection	-	Junction Box	-	-
Dimensions	-	6.75W x 6.375D	-	inches
Fixture Weight	-	21.5	-	lbs per Section

Electrical (per Section)

	Minimum	Typical	Maximum	Units
Input Voltage	-	12	-	Vdc
Input Current	-	1.9	-	A
Input Power	-	23	-	W
Heat	-	78	-	BTU/h

Compliance

	Minimum	Typical	Maximum	Units
IP	25	-	-	Dry Location
Regulatory	-	Listed	-	UL 2108 CSA 22.2#250.0
RoHS	-	Pending	-	2011/65/EU

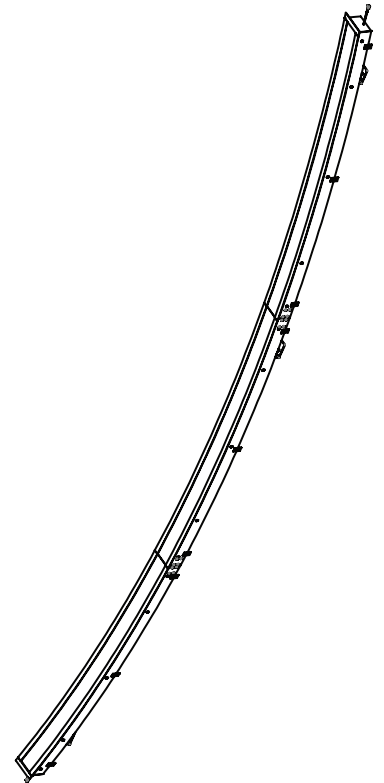
Environmental

	Minimum	Typical	Maximum	Units
Storage Temperature	-40	25	85	C
Operating Temperature	-20	25	35	C
Humidity	5	-	95	%
Lifespan	50000	-	-	Hours
Warranty	3	-	-	Years

Installation Notes

- A PDC RF Filter is required for proper operation in the MRI suite
- A PDC Power Supply is required for proper operation in the MRI suite
- *PWM is known to cause image artifacts, audible noise and light flicker

1-07-000089



Intertek



700 Walnut Ridge Drive
Hartland, WI 53029
Phone: 262-367-7700
Web: www.pdcbiz.com
Email: pdcbiz@pdcbiz.com

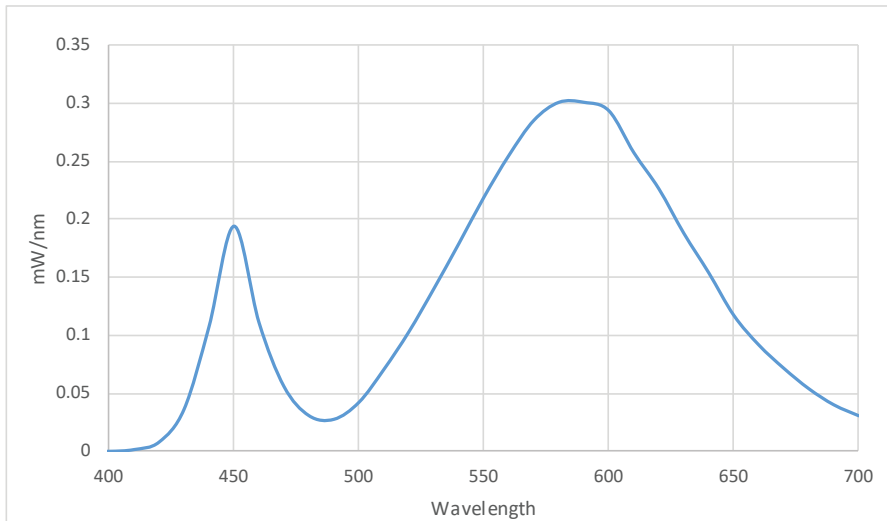
© 2018 PDC Facilities, Inc. All rights reserved.
For informational purposes only. Content is subject to change.

Date Revised: 2018.10.23

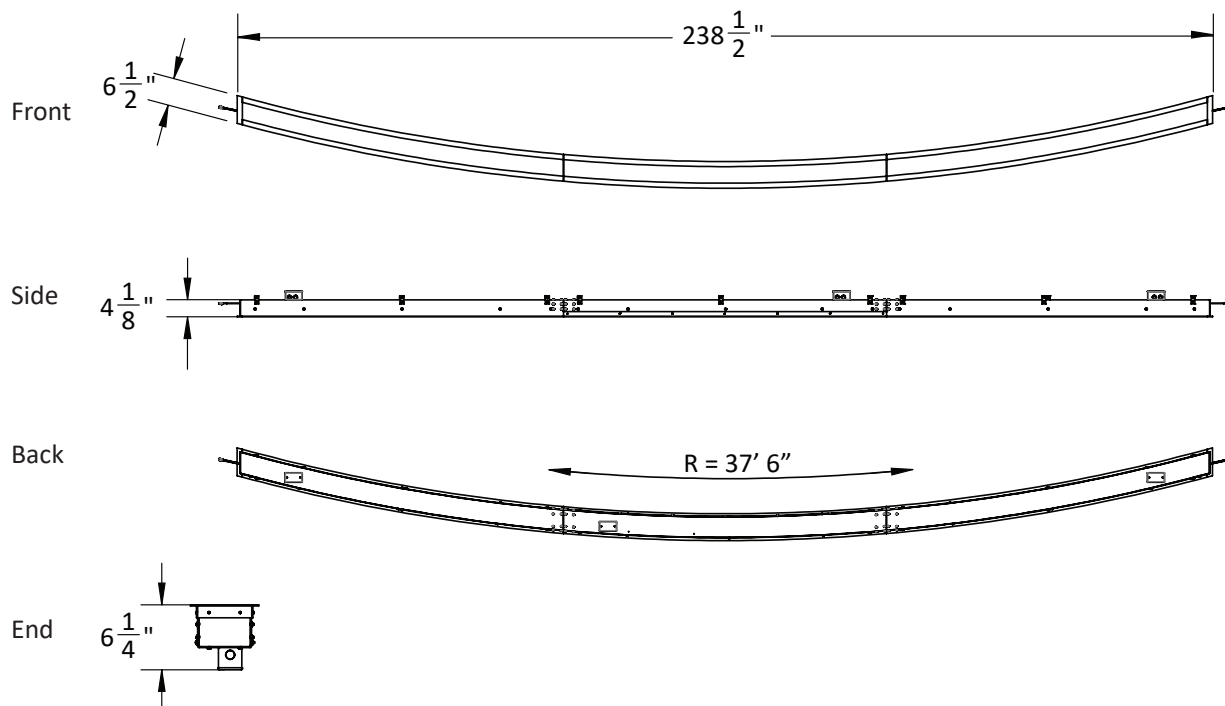
Photometric Data

Photometric				
	Minimum	Typical	Maximum	Units
Luminous Flux (per section)	850	-	-	lm
CCT	-	3100	-	k
CRI	72.9	-	-	
Chromaticity (u')	-	0.244	-	
Chromaticity (v')	-	0.519	-	
Efficacy	-	73	-	lm/W

Spectral Data Over Visible Wavelength



Mechanical Diagram



700 Walnut Ridge Drive
 Hartland, WI 53029
 Phone: 262-367-7700
 Web: www.pdcbiz.com
 Email: pdcbiz@pdcbiz.com

© 2018 PDC Facilities, Inc. All rights reserved.
 For informational purposes only. Content is subject to change.

Date Revised: 2018.10.23