

Recessed LED Directional Luminaire MRI Compatible

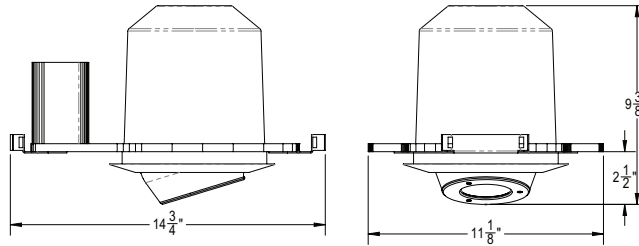


Product Description

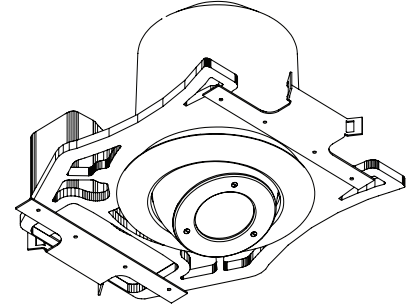
A non-ferrous, direct current (DC) adjustable LED Lamp specifically designed to provide increased directional lighting for procedures on the MRI Table. Contains no on-board electronics therefore will not interfere with MRI imaging. Certified to meet MRI vendor EMI requirements. MRI applications require EMI free emissions for specific frequency bands. All drive circuitry employs linear regulation and no pulse width modulation (PWM*).

Performance Summary

Initial Delivered Lumens: 1400 lm
 Input Power: 15.3 watts
 Limited Warranty: 3 years
 Lifetime: Designed to last 50,000 hours
 Dimming: Linear



1-07-000021 - Ethernet Wiring
 1-07-000024 - DC Wiring



Mechanical

	Minimum	Typical	Maximum	Units
Package	-	6" Can	-	-
Electrical Connection	-	Flying Leads	-	-
Fixture Weight	-	3.0	-	lbs

Electrical

	Minimum	Typical	Maximum	Units
Input Voltage	-	34	36	Vdc
Input Current	-	350	450	mAdc
Input Power	-	15.3	-	W

Compliance

	Minimum	Typical	Maximum	Units
IP	20	25	-	Dry Location
ETL/UL	-	Enclosure Rated	-	UL-8750/2108
RoHS	-	Pending***	-	2011/65/EU

Environmental

	Minimum	Typical	Maximum	Units
Storage Temperature	-40	25	85	C
Operating Temperature	-20	25	35	C
Humidity	5	-	95	%
Lifespan	50000	-	-	Hours
Warranty	3	-	-	Years

Installation Notes

A PDC RF Filter is required for proper operation in the MRI suite
 A PDC Power Supply is required for proper operation in the MRI suite
 *PWM is known to cause image artifacts, audible noise and light flicker



700 Walnut Ridge Drive
 Hartland, WI 53029
 Phone: 262-367-7700
 Web: www.pdcbiz.com
 Email: pdcbiz@pdcbiz.com

© 2016 PDC Facilities, Inc. All rights reserved.
 For informational purposes only. Content is subject to change.

Date Revised: 2017.09.06