

RGB LED Illuminated Wall Fixture

MRI Compatible



Product Description

The LED Illuminated Wall Fixture is designed for MRI suite applications. It is a non-ferrous assembly which can be mounted within the MRI room. It is pre-engineered with easy installation textured lenses and can have applied artwork image graphics. Contains no on-board electronics therefore will not interfere with MRI imaging. Certified to meet MRI vendor EMI requirements. MRI applications require EMI free emissions for specific frequency bands. All drive circuitry employs linear regulation and no pulse width modulation (PWM*).

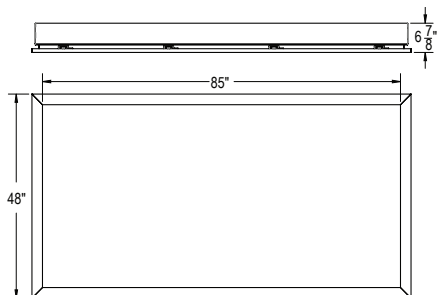
Performance Summary

Input Power: 160 watts

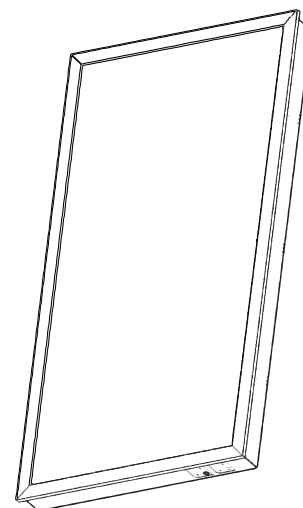
Limited Warranty: 3 years

Lifetime: Designed to last 50,000 hours

Dimming: Linear



1-07-000013



Mechanical

	Typical	Units
Installation	Direct Wall Attachment Tabs	-
Dimensions (Fixture)	88.5" x 46.5"	inches
Dimensions (Trim)	90" x 48"	inches
Drywall Rough Opening	89" x 47"	inches
Fixture Weight	168	lbs

Properties

Lens	Uniform LED Light Diffusing Polymer	-
Housing	Welded Aluminum Construction	-
Trim	Laminated	-
Lens Image	Choice of 2 or custom	-

Electrical

	Minimum	Typical	Maximum	Units
Input Voltage	-	12	-	Vdc
Input Current	-	13.25	-	A
Input Power	-	160	-	W

Compliance

	Minimum	Typical	Maximum	Units
IP	25	-	-	Dry Location
ETL/UL	Enclosure Rated			UL 8750/2108
RoHS	Pending			2011/65/EU

Environmental

	Minimum	Typical	Maximum	Units
Storage Temperature	-40	25	85	C
Operating Temperature	-20	25	35	C
Humidity	5	-	95	%
Lifespan	50000	-	-	Hours
Warranty	3	-	-	Years

Installation Notes

A PDC RF Filter is required for proper operation in the MRI suite

A PDC Power Supply is required for proper operation in the MRI suite

*PWM is known to cause image artifacts, audible noise and light flicker



Intertek



700 Walnut Ridge Drive
Hartland, WI 53029
Phone: 262-367-7700
Web: www.pdcbiz.com
Email: pdcbiz@pdcbiz.com

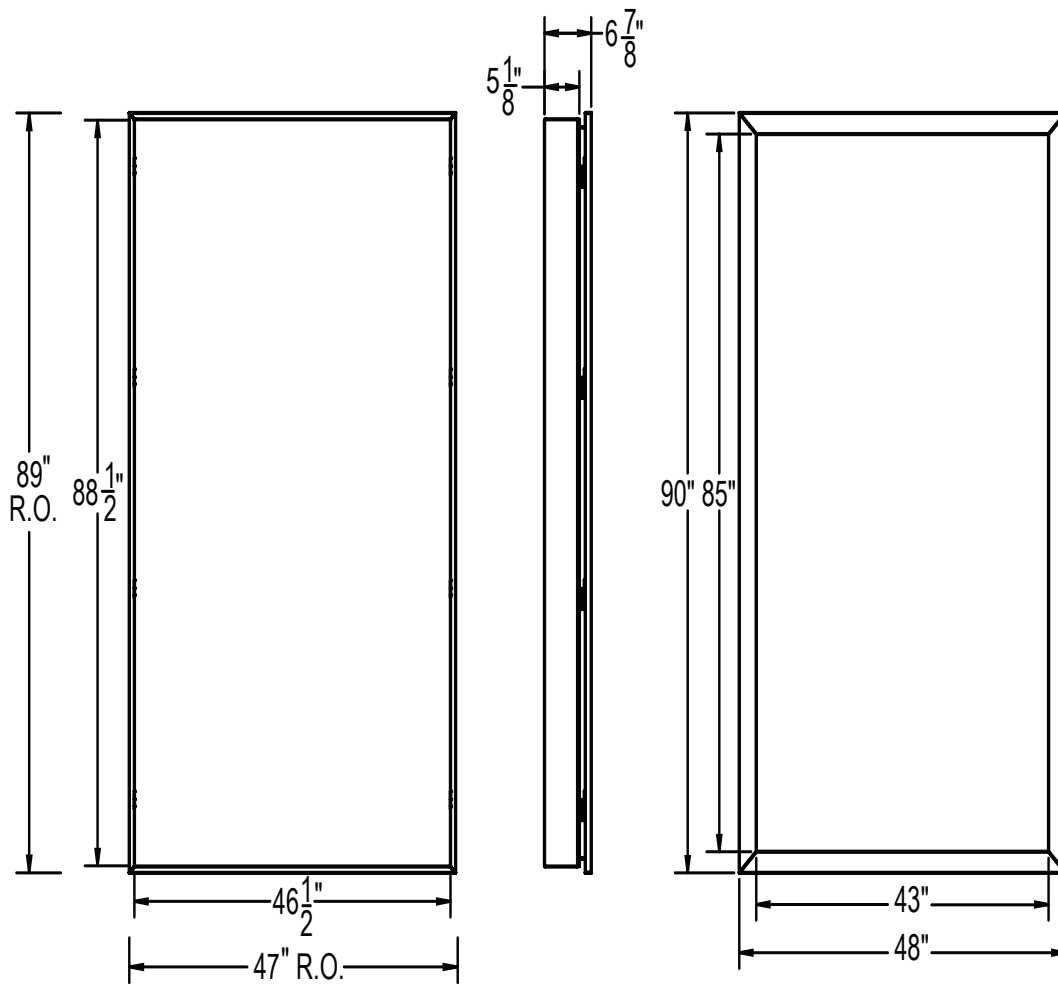
© 2016 PDC Facilities, Inc. All rights reserved.
For informational purposes only. Content is subject to change.

Date Revised: 2017.08.21

Photometric Data per RGB LED Light Strip (16 per Wall Fixture)

Photometric				
	Minimum	Typical	Maximum	Units
Luminous Intensity (Red)/LED	400	-	-	mcd
Luminous Intensity (Green)/LED	900	-	-	mcd
Luminous Intensity (Blue)/LED	300	-	-	mcd
Wavelength (Red)	-	620	-	nm
Wavelength (Green)	-	520	-	nm
Wavelength (Blue)	-	460	-	nm
Viewing Angle	-	120	-	deg

Mechanical Diagram



Bamboo



Apple Blossoms

