

# RGB LED Curved Cove Lighting

## MRI Compatible

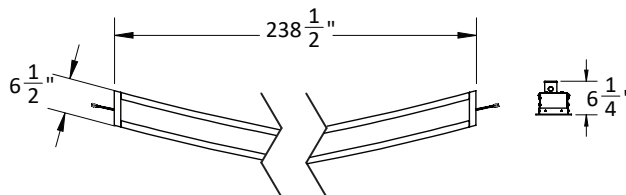


### Product Description

The RGB LED Curved Cove Lights are designed for MRI suite applications with a non-ferrous assembly which can be mounted in recessed applications within the MRI room. Consult factory for custom shapes. Contains no on-board electronics therefore will not interfere with MRI imaging. Certified to meet MRI vendor EMI requirements. MRI applications require EMI free emissions for specific frequency bands. All drive circuitry employs linear regulation and no pulse width modulation (PWM\*).

#### Performance Summary

Input Power: 23 watts  
 Limited Warranty: 3 years  
 Lifetime: Designed to last 50,000 hours  
 Dimming: Linear



### Mechanical

	Minimum	Typical	Maximum	Units
Package	-	LED Strip	-	-
Electrical Connection	-	Junction Box	-	-
Dimensions	-	6.75W x 6.375D	-	inches
Fixture Weight	-	21.5	-	lbs per Section

### Electrical (per Section)

	Minimum	Typical	Maximum	Units
Input Voltage	-	12	-	Vdc
Input Current	-	1.9	-	A
Input Power	-	23	-	W
Heat	-	235	-	BTU/h

### Compliance

	Minimum	Typical	Maximum	Units
IP	25	-	-	Dry Location
ETL/UL		Enclosure Rated		UL 8750/2108
RoHS		Pending		2011/65/EU

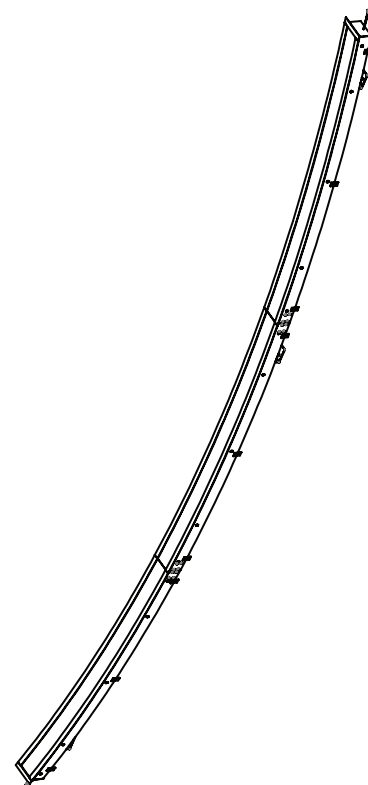
### Environmental

	Minimum	Typical	Maximum	Units
Storage Temperature	-40	25	85	C
Operating Temperature	-20	25	35	C
Humidity	5	-	95	%
Lifespan	50000	-	-	Hours
Warranty	3	-	-	Years

### Installation Notes

A PDC RF Filter is required for proper operation in the MRI suite  
 A PDC Power Supply is required for proper operation in the MRI suite  
 \*PWM is known to cause image artifacts, audible noise and light flicker

1-07-000011



700 Walnut Ridge Drive  
 Hartland, WI 53029  
 Phone: 262-367-7700  
 Web: www.pdcbiz.com  
 Email: pdcbiz@pdcbiz.com



© 2016 PDC Facilities, Inc. All rights reserved.  
 For informational purposes only. Content is subject to change.

Date Revised: 2017.10.10

# Photometric Data and IES Distribution

Photometric				
	Minimum	Typical	Maximum	Units
Luminous Intensity (Red)/LED	400	-	-	mcd
Luminous Intensity (Green)/LED	900	-	-	mcd
Luminous Intensity (Blue)/LED	300	-	-	mcd
Wavelength (Red)	-	620	-	nm
Wavelength (Green)	-	520	-	nm
Wavelength (Blue)	-	460	-	nm
Viewing Angle	-	120	-	deg

## Mechanical Diagram

