

VERSAVIDEO™ 32" Portable Video Display

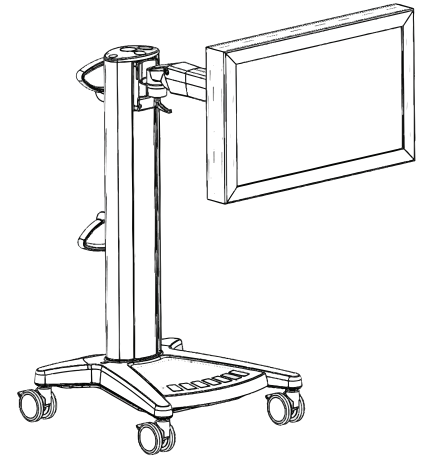
MRI Compatible



Product Description

The VERSAVIDEO™ 32" Portable Video Display is designed for MRI suite applications and with a non-ferrous assembly which can be mounted within the MRI room. All components are non-ferrous. Certified to meet MRI vendor EMI requirements. MRI applications require EMI free emissions for specific frequency bands. All drive circuitry employs linear regulation and no pulse width modulation (PWM*).

1-03-000004



Dimensions

	Width	Height	Depth	Units
Monitor	31.25	19.25	3.5	inches
Cart	47	24	24.5	inches
Monitor Resolution	1920	1080	-	pixels

Electrical

	Minimum	Typical	Maximum	Units
Input Voltage	120	-	240	Vac
Input Power	-	122	-	W
Heat	-	416	-	BTU/h
Phase	-	Single	-	-
Frequency	-	50/60	-	Hz
Refresh Rate	-	60	-	MHz

Mechanical

	Minimum	Typical	Maximum	Units
Articulation (Arm left-right)	0	-	95	degrees
Articulation (Arm up-down)	0	-	95	degrees
Articulation (Screen)	0	-	360	degrees
Stability	-	Locking Wheels	-	-
Product Weight	-	193	-	lbs
Cable Length	-	100	-	ft

Inputs

	Connection	Function
DB15 Backlight	DB15 Backlight	DC Power
Fiber	Video	Video

Compliance

	Minimum	Typical	Maximum	Units
Monitor	-	Listed	-	UL 62368-1
Cart	-	Listed	-	DIN 60601-1
CE	-	Pending	-	-
RoHS	-	Pending	-	2011/65/EU

Environmental

	Minimum	Typical	Maximum	Units
Storage Temperature	-40	25	60	°c
Operating Temperature	0	25	40	°c
Humidity	20	-	80	%
Warranty	1	-	-	Years

Installation Notes

A PDC RF Filter and PDC Versa Video Controller are required for proper operation in the MRI scan room.
 *PWM is known to cause image artifacts, audible noise and light flicker



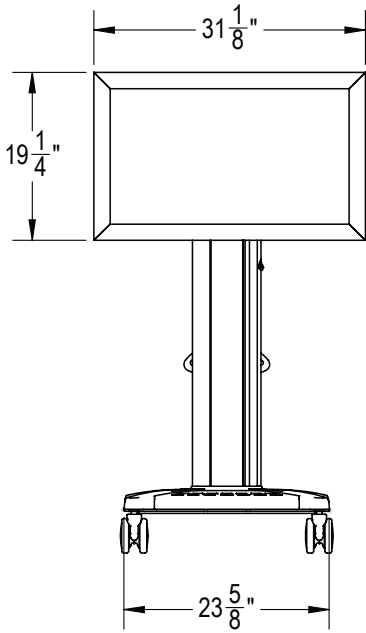
700 Walnut Ridge Drive
 Hartland, WI 53029
 Phone: 262-367-7700
 Web: www.pdcbiz.com
 Email: pdcbiz@pdcbiz.com

© 2016 PDC Facilities, Inc. All rights reserved.
 For informational purposes only. Content is subject to change.

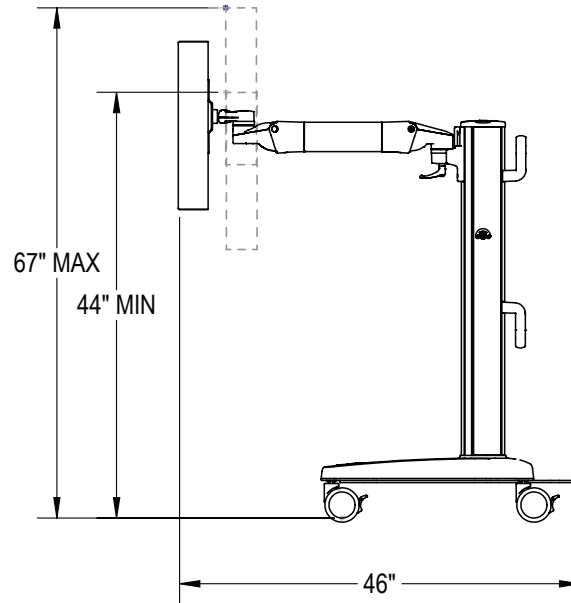
Date Revised: 2017.10.18

Mechanical Diagram

Front View



Side View



Top View

