

65" Ultra High Definition Wall Mount Image Display



4K
ULTRA HD



Product Description

The PDC Ultra High Definition Wall Mount Image Display is capable of displaying 4K video at an astounding theater quality 2160P with over 8.2 million pixels. The 4K Ultra High Definition 65 inch diagonal wall mount monitor is intended for use anywhere within a Health Care Facility, not including MRI Scan Rooms.

Features

Screen Type

- LCD

Resolution

- Ultra High Definition 4K
- 3840 x 2160
- UHD Dimming
- Precision Black (Local Dimming)

Aspect Ratio

- 16:9
- Portrait or Landscape

Framing

- Custom Options Available

Contrast Ratio

- 5000:1

Refresh Rate

- 120 MHz

Backlight

- UHD 4K LED

Viewing Angles

- 176° H / 176° V

Specifications

Electrical

- Voltage: 100-240 VAC
- Power: 25-29W (Typ/Max)
- Phase: Single
- Frequency: 50/60 Hz
- Standby Power <1W

Dimensions (Monitor)

- 57.25" x 32.75" x 2.75"
- 1454 x 832 x 70mm

Enclosure

- 3/16" (4.76mm) 6063-T52 Aluminum
- Welded Construction

Weight

- 66 lbs. / 30kg

Inputs

- Fiber Optic ST Connector

Operating Environment

- Temp.: 50-104 F (10-40 C)
- Relative Humidity: 10-80% NC

Installation

- Ceiling or Wall Mount

One Year Limited Warranty

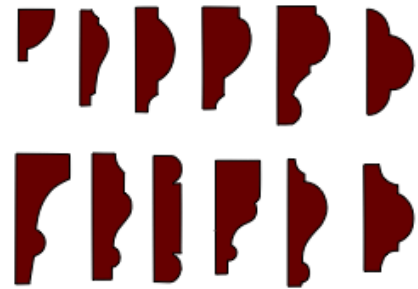
- Complete Component

Approval Listings

- cUL

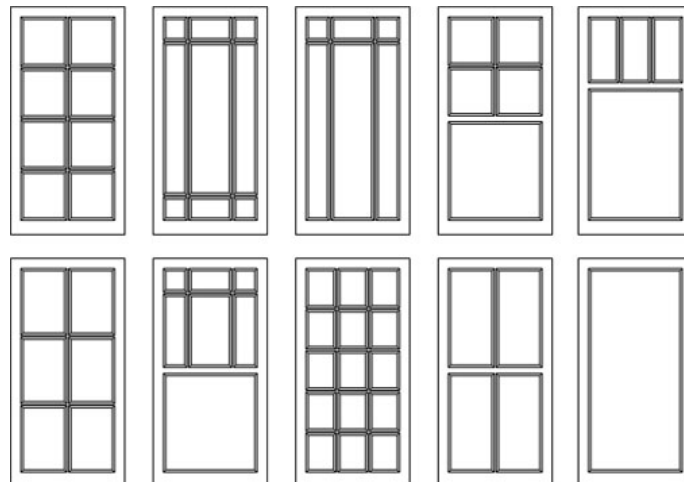
Bezel Options

The PDC standard bezel is aesthetically compatible with all interior design applications. PDC can also create custom millwork to match existing interior design features and profiles.



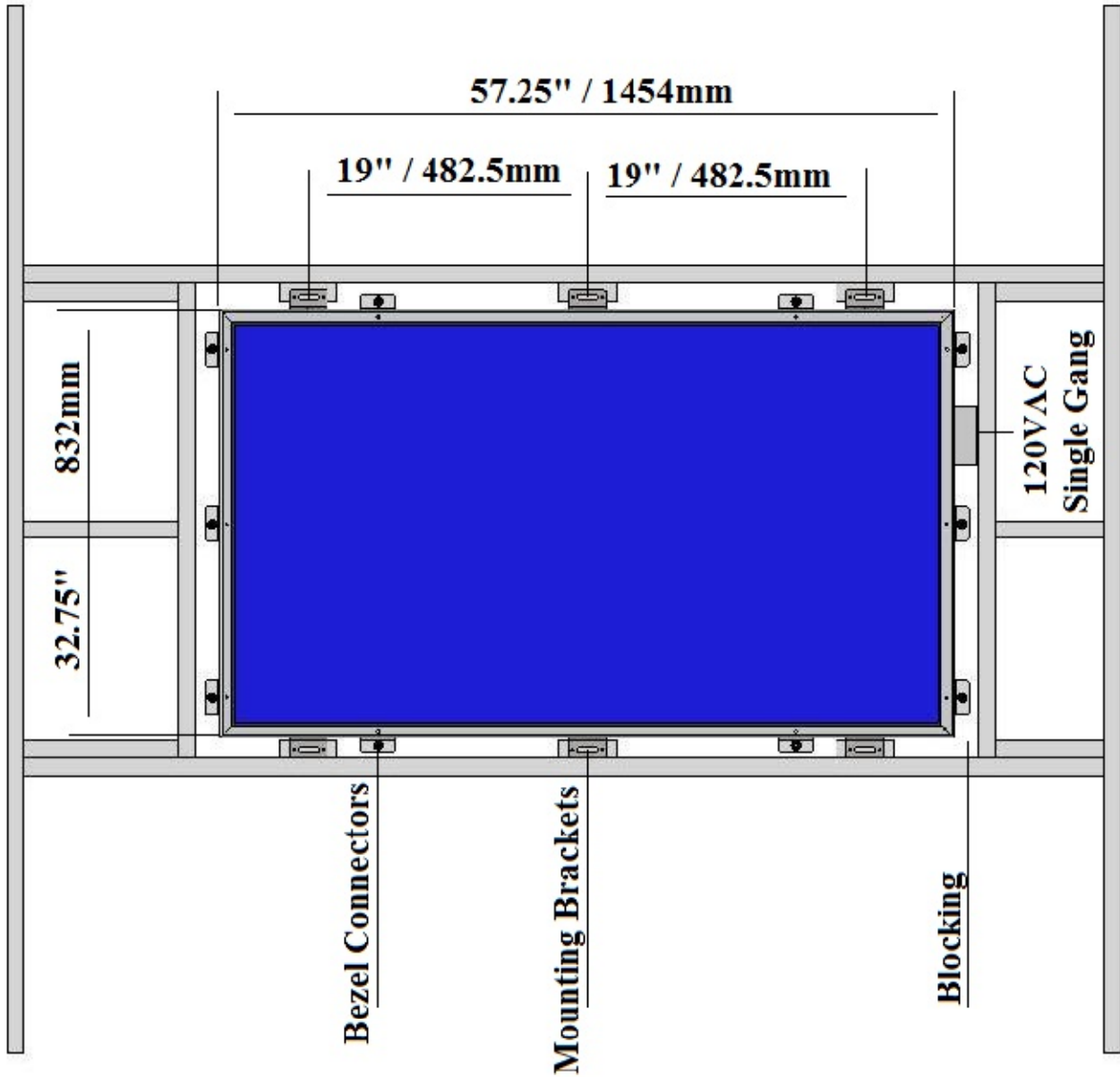
Mullion Designs

The PDC Ultra High Definition Image Display can be orientated to mimic a window to the world. The PDC Millwork artisan's can create or reproduce any interior design feature.

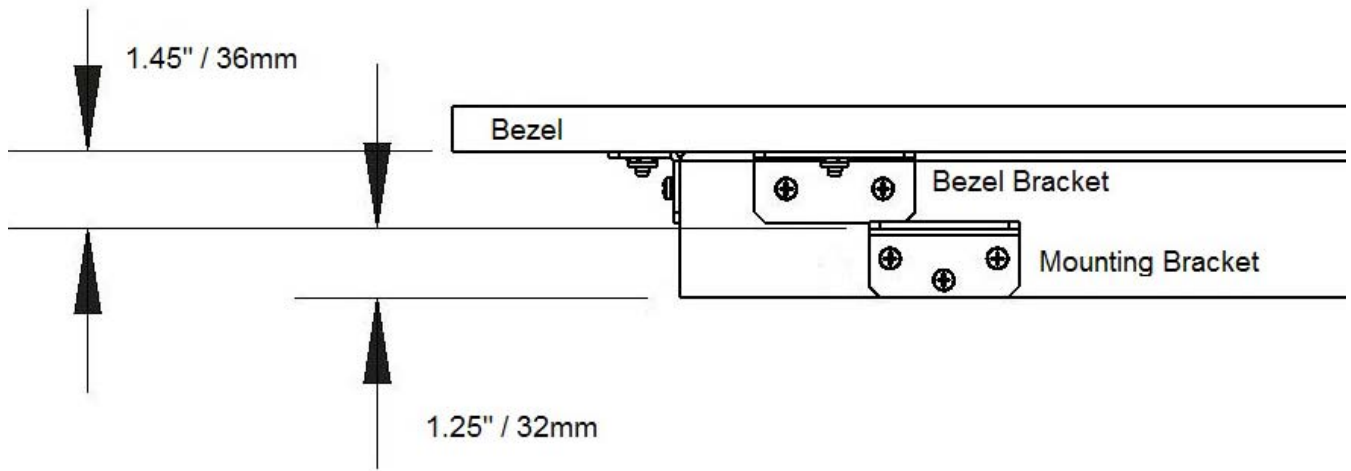


Wall Mount Dimensions – 65" UHD Image Display

Note: The PDC UHD Image Display requires a single gang 120VAC outlet located with three (3) feet of the image display.



Wall Mount Dimensions – 65" UHD Image Display



Bezel Dimensions – 65" Image Display

