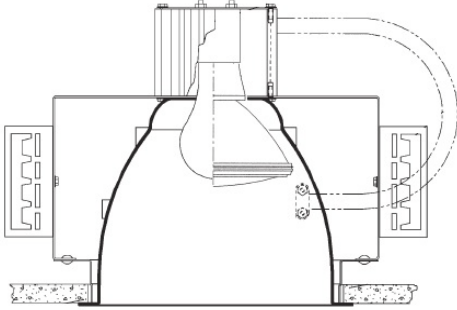


LED Warm White Can Lights MRI Compatible



Product Description

A ceiling mounted recessed light fixture for use with PDC LED bulbs. The all aluminum construction is suitable for use anywhere within a Health Care Facility including MRI Scan Rooms.

Specifications

Material

- All Aluminum Construction
- Brass Hardware

Electrical Input

- Compatible with AC or DC applications

Limited Warranty

- 1 Year Free Replacement

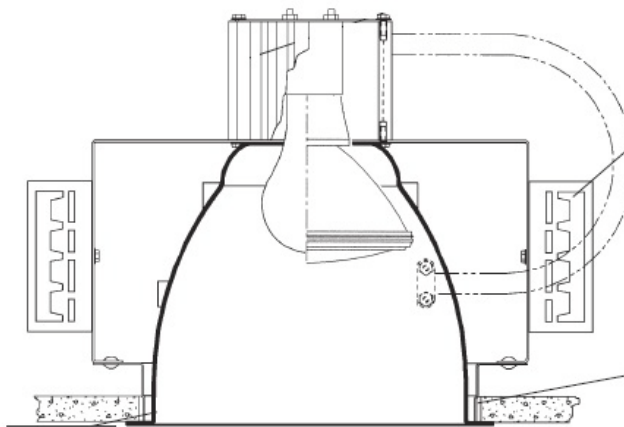
Dimensions

- 9.75" L x 12.75" W (max point)
248mm x 323.85mm
- Socket Type: ES 26

Approval Listings

- ETL / CSA / CE

Mounting



Adjustable height aluminum mounting brackets with cutouts for various mounting methods. Aluminum mounting bars (included) suitable for use in MRI. Brackets will accept aluminum C-Channel or other non-magnetic mounting bars. (supplied by others)

Aluminum plaster ring fastened to the spun aluminum frame and aluminum reflector mounting strap with aluminum rivets.

Dimensions

Note: Do not install insulation within 3 (three) inches of fixture sides, wiring compartment or above fixture in such a manner to entrap heat.

