

MRI Compatible HD Portable Video Display For In-Bore Viewing



Description

The PDC Portable HD Video Display is specifically designed for patient viewing while inside the bore of an MRI using Prism Glasses or Head Coil Mirror. The HD Video Display can be rotated 180 degrees mechanically and or 360 degrees digitally. The standard rolling base features an articulating arm which can be positioned to reduce the glare of ambient lighting or extended and articulated for optimum bore positioning. Ceiling or wall articulating mounts are also available.

Features

Screen Orientation

- 360° Digital Flipping in 90° Increments
- 360° Mechanical Rotation

Articulating Arm

- 28" (711mm) Full Extension
- 180° Rotation
- 100° Vertical Pivot
- 160° Horizontal Pivot

Viewing Angles

- 178° H / 178° V

Resolution

- 1920 x 1080p

Cleanability

- Flat Surfaces
- Powder Coat Finish
- Cleaner Resistant

Stability

- Locking, Non-Marking Wheels
- Low Center of Gravity

MRI Compatible

- Non-Ferrous
- Radio-Frequency Shielded

Color Depth

- 8bit, 16.7 Million Colors

Specifications

Electrical

- Power: 38w
- BTU/h: 130

Dimensions

- Monitor: 31.25" w x 19.25" h x 3.5" d
792 x 490 x 88mm
- Cart: 47" (1194mm) Height
24" x 24.5 (610 x 620mm) Base

Aspect Ratio

- 16:9

Inputs

- Sub-D Miniature, 9-pin female
- Fiber Optic ST Connector

Monitor Refresh rate

- 60 MHz

Operating Environment

- Temp.: 32-122 F (0-50 C)
- Relative Humidity: 10-90%
Non Condensing

Safety

- Display: ANSI C63.4
- Cart: 93/42 EWG

Approvals

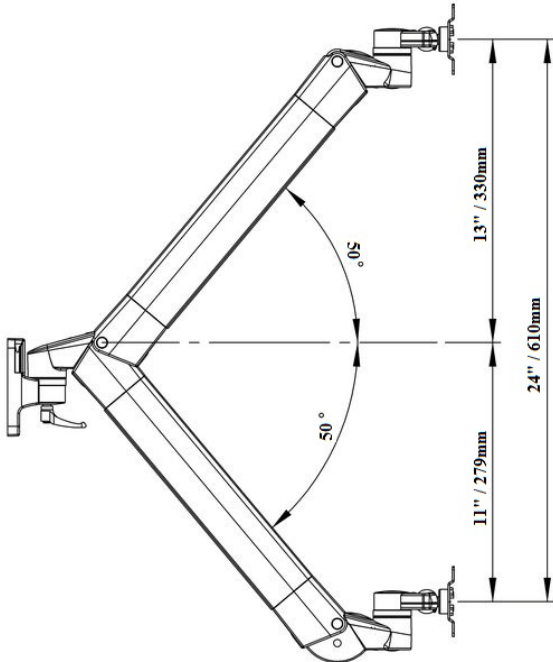
- Display: UL 60950-1 / CSA C22.2
- Cart: DIN 60601-1

One Year Limited Warranty

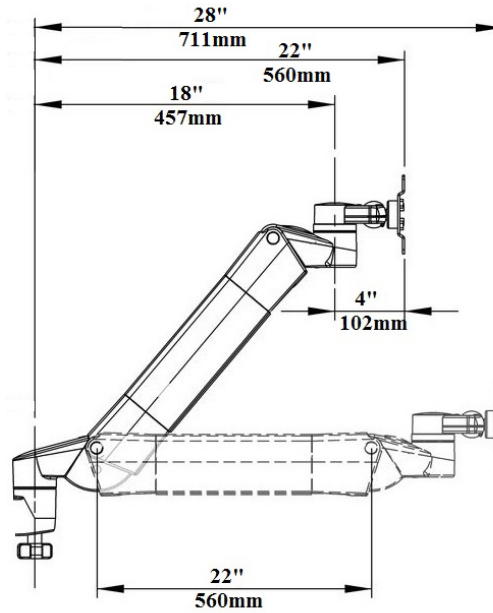
- Complete Component

Physical Properties

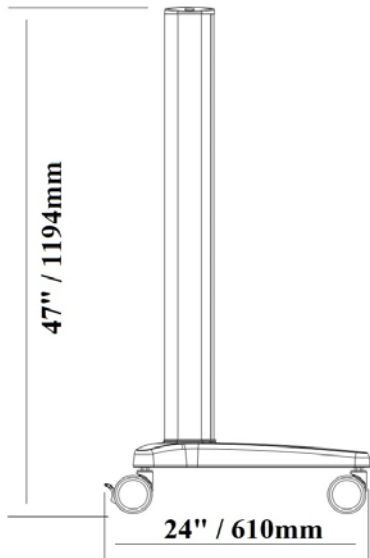
- Dimensions : Monitor: 31.25"w x 19.25"h x 3.5"d
792 x 490 x 88mm
Cart: 47" (1194mm) Height / 24" x 24.5 (610 x 620mm) Base



Vertical Articulation



Articulating Arm



Cart Base

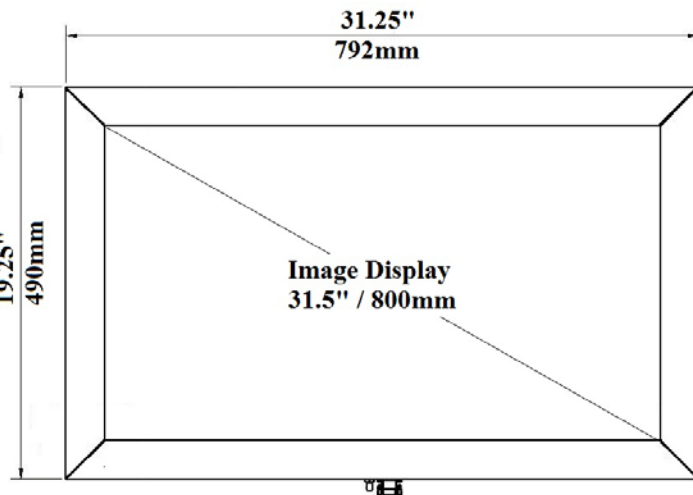
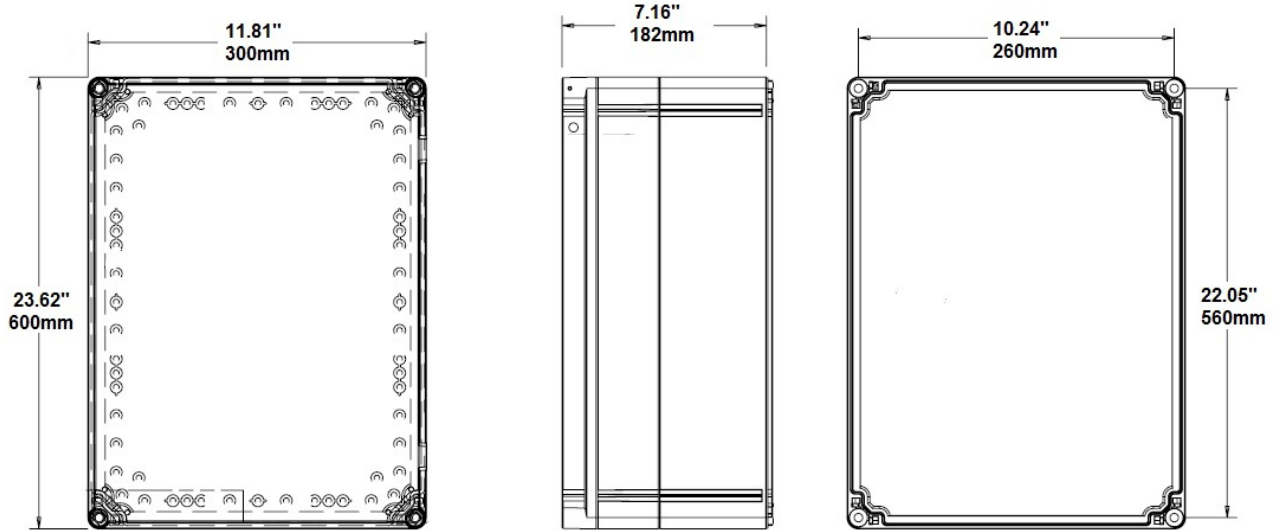


Image Display Front View

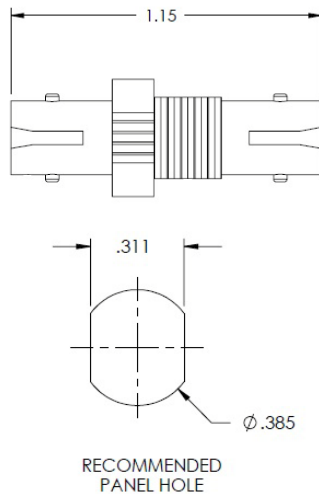
Power Supply

Note: The power supply and media player for the PDC HD Video Display are to be located outside the MRI Scan Room.

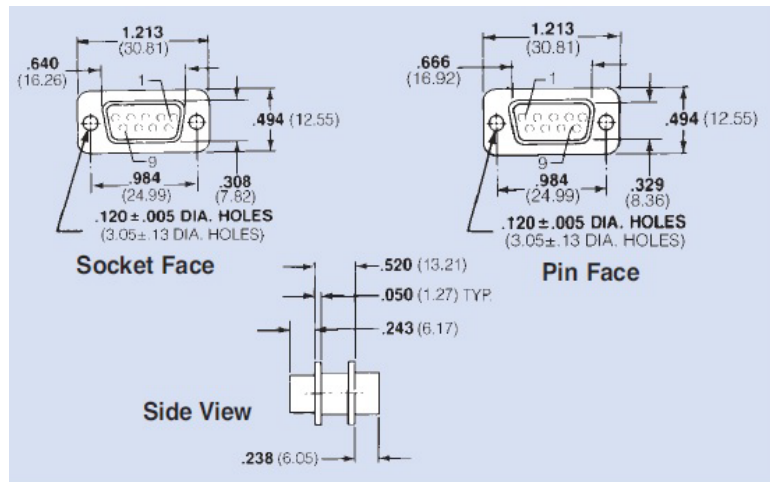
Note: The PDC HD Video Display power supply requires a single gang, 120VAC, 50/60Hz grounded outlet.



RF Filters



Fiber Optic



9 Pin

RF Filter Panel Mounting Plate Dimensional Drawing

Note: The 9 pin filter must be faced into the equipment room. Do not face the 9 pin filter into the MRI room.

Note: PDC recommends the use of non-ferrous fasteners. Use fasteners consistent with the RF shielding.

