

## MRI Compatible Recessed LED Task Luminaire



### Product Description

A ceiling mounted, recessed luminaire with a 25 degree vertical tilt for use as task lighting. The all aluminum and engineering grade thermoplastic construction is suitable for use anywhere within a Health Care Facility including MRI Scan Rooms.

### Specifications

#### Fixture Materials

- Aluminum/Thermoplastic Construction

#### LEDs

- Luminous Flux: 3000
- Efficacy: 97 lm/w
- Color Related Temp: 4000
- Color Rendering Index: 90

#### Energy Efficient

- 97 Lumens per Watt
- Title 24 Compliant

#### Electrical Input

- Low Voltage Direct Current

#### Life Expectancy

- 50,000 Hours

#### Fixture Dimensions

- 12"L x 9.25" W x 7.5" H  
305mm x 235mm x 191mm

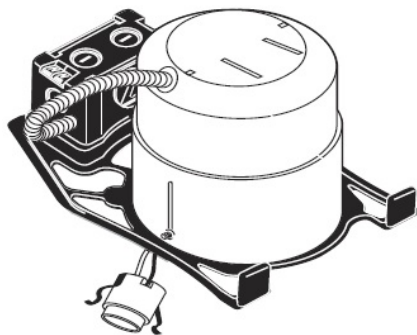
#### Approval Listings

- UL Listed

#### Limited Warranty

- 1 Year Free Replacement

### Mounting



#### Installation:

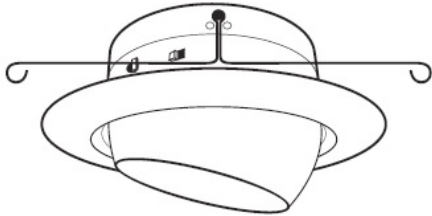
2 x 8 wood joist or T-bar

Vertical adjustment of housing allows for flush mounting

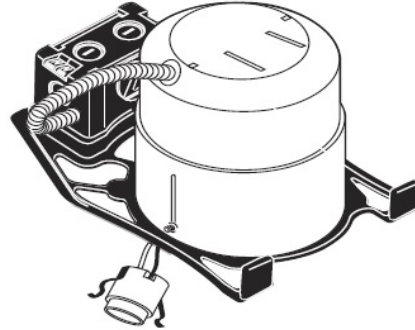
Ceiling cutout 6 7/8"

**Note:** The PDC Task Luminaire requires two (2) conductor 18Awg shielded wire grounded at the filter panel within the MRI Scan Room.

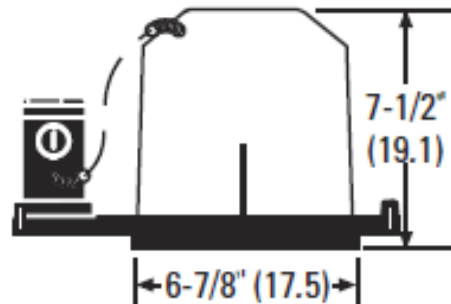
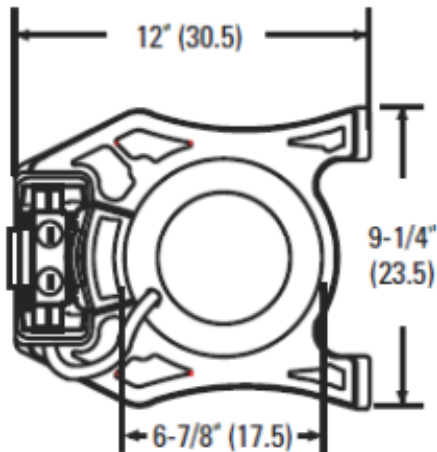
## Dimensions and Identification



**Vertical Tilt Eyeball**



**Recessed Fixture**



**Recessed Fixture**