

## Warm White DC LED Bulb MRI Compatible



### Product Description

A patented, non-ferrous, direct current (DC) LED bulb for use within any adequately sized AC fixture supplied with DC power as an interior architectural design lighting package. PDC LED DC bulbs can be used anywhere within a Health Care Facility including MRI Scan Rooms.

### Specifications

#### Material

- Housing: Aluminum
- White Frosted PolyCarbonate Lens Cover

#### LEDs

- Lumens: 1152
- Efficacy: 86.9
- Color Rendering Index: 81.3
- Color Related Temp: 3127K
- 12 LED's / Bulb

#### Electrical Input

- 19.5 VDC, 15 Watts, 0.94Amps

#### System

- For Use With PDC Power Supply and Lighting Controller  
Part Number: 560-105

#### Dimensions

- 4.8"L x 4.8" Diameter  
122mm x 122mm
- PAR: 38
- Socket Type: ES 26

#### Limited Warranty

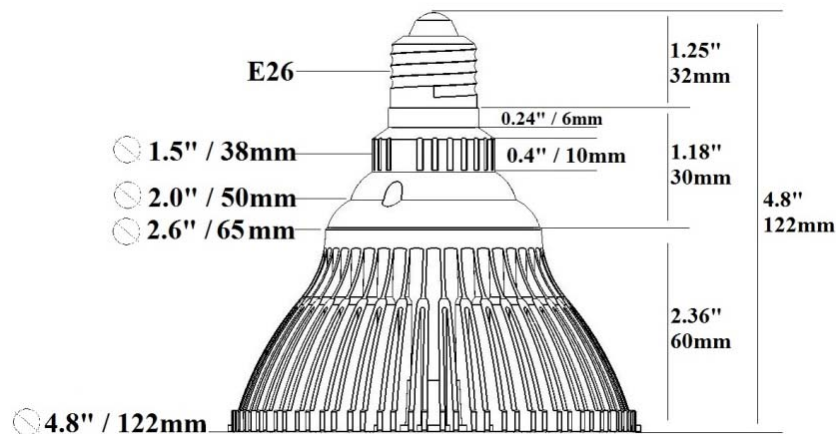
- 1 Year Free Replacement
- 2-5 Years Limited Replacement

#### US Patent

- No.: 8,449,169 B2

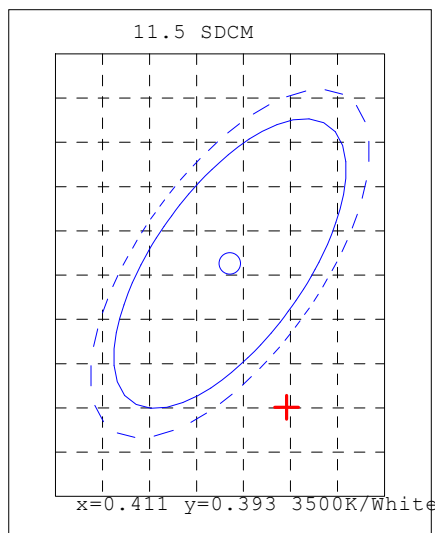
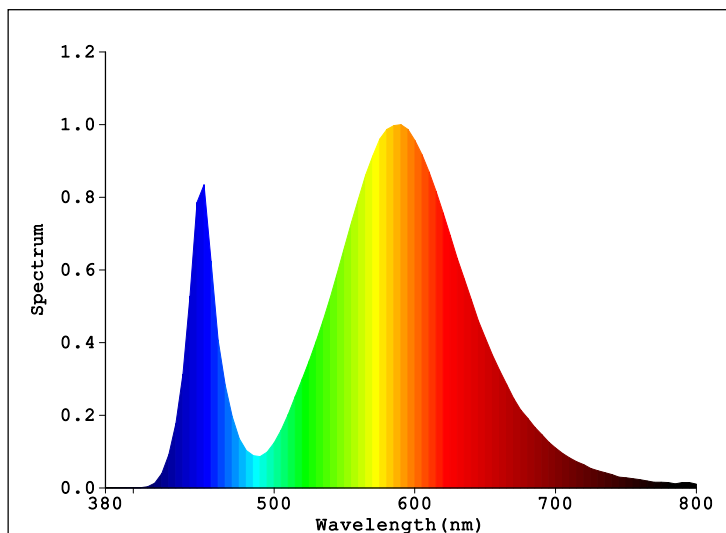
#### Approval Listings

- ETL / CSA / CE



**Shenzhen Skyview Photoelectric Co.,Ltd**

**Light Source Test Report**



**Color Parameters:**

Chromaticity Coordinate:  $x=0.4162$   $y=0.3747$   
 Chromaticity Coordinate:  $u'=0.2499$   $v'=0.5060$  ( $duv=-9.24e-03$ )  
 Tc=3127K Dominant WL:Ld=586.7nm Purity=37.3% Centroid WL:581.0nm  
 Ratio:R=21.7% G=76.5% B=1.9% Peak WL:Lp=590.0nm HWL:103.6nm  
 Render Index:Ra=81.3

**Photo Parameters:**

Flux: 1152.2 lm Fe: 3.3581 W Efficacy:86.90 lm/W

**Electrical Parameters:**

Luminaire: U=18.94V I=0.7001A P=13.26W PF=1.000

**Instrument Status:**

Scan Range:380.0nm-800.0nm Interval:5.0nm[0]  $I_p=50726$  (G=4, D=54)  
 REF=34652 (R=3) %=-0.064% PMT: 24.7 centigrade [28.2]

**1.05**

Product Type:SV-S-PAR38-E26-12W-001Manufacturer:SKY VIEW  
 Number:2 Test Department:SKY VIEW  
 Temperature:25.3 deg Humidity:65.0%  
 Test Operator:丁路 Test Date:2013-04-23 09:23:46  
 Software:V2.00.122 Instrument:PMS-80\_V1 (SN:11090023)