

65" UHD 4k Ceiling Video Display MRI Compatible

4K
ULTRA HD



Description

Ultra High Definition Image Display is capable of displaying 4K content at an astounding theater quality 2160P with over 8.2 million pixels. The 4K Ultra High Definition ceiling or wall mount 65 inch diagonal monitor is intended for use anywhere within a Health Care Facility, including MRI Scan Rooms.

Features

Resolution

- 3840 x 2160p (8.29 megapixels)

Aspect Ratio

- 16:9

Refresh rate

- 120 MHz

Screen Type

- X-Gen LCD

Panel Type

- LCD

Viewing Angles

- 176° H / 176° V

Contrast Ratio

- 5000 : 1

MRI Compatible

- Non-Ferrous
- Radio-Frequency Shielded

Specifications

Electrical

- Voltage: 100-240 VAC
- Power: 155w
- Phase: Single
- Frequency: 50/60 Hz
- BTU/hr: 528

Dimensions (wo/Bezel)

- 64.75 x 42.5 x 3.7"
1645 x 1080 x 94mm

Enclosure

- 3/16" (4.76mm) 6063-T52 aluminum
- Welded Construction

Weight

- 87 lbs./40kg

Installation

- Ceiling or Wall Mount

Inputs

- Sub-D Miniature, 25-pin female
- Sub-D Miniature, 9-pin female
- Fiber Optic ST Connector

Operating Environment

- Temp.: 32-122 F (0-50 C)
- Relative Humidity: 10-90% NC

One Year Limited Warranty

- Complete Component

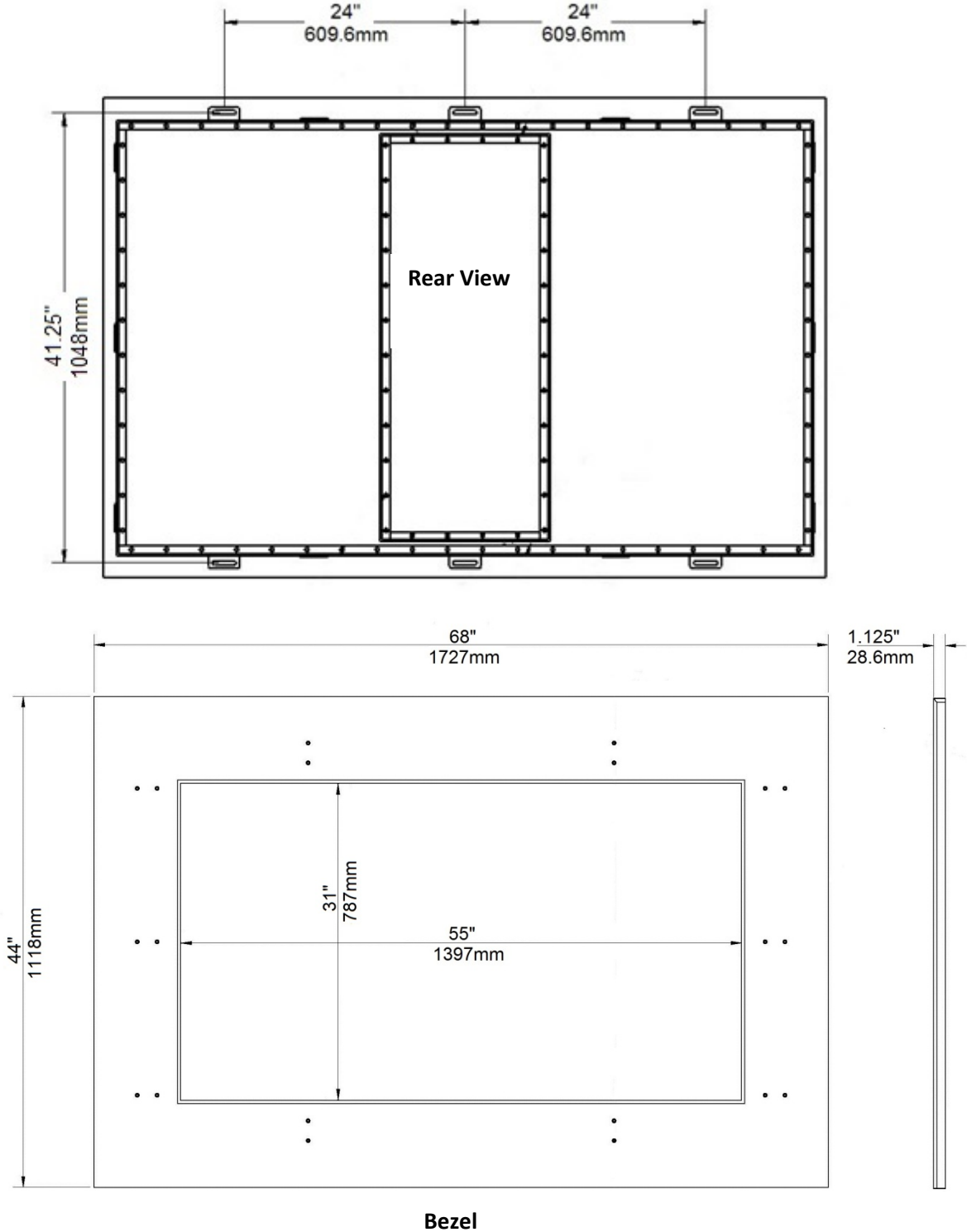
Approval Listings

- ETL (US and Canada) / CE

Installation Dimensions – Video Display

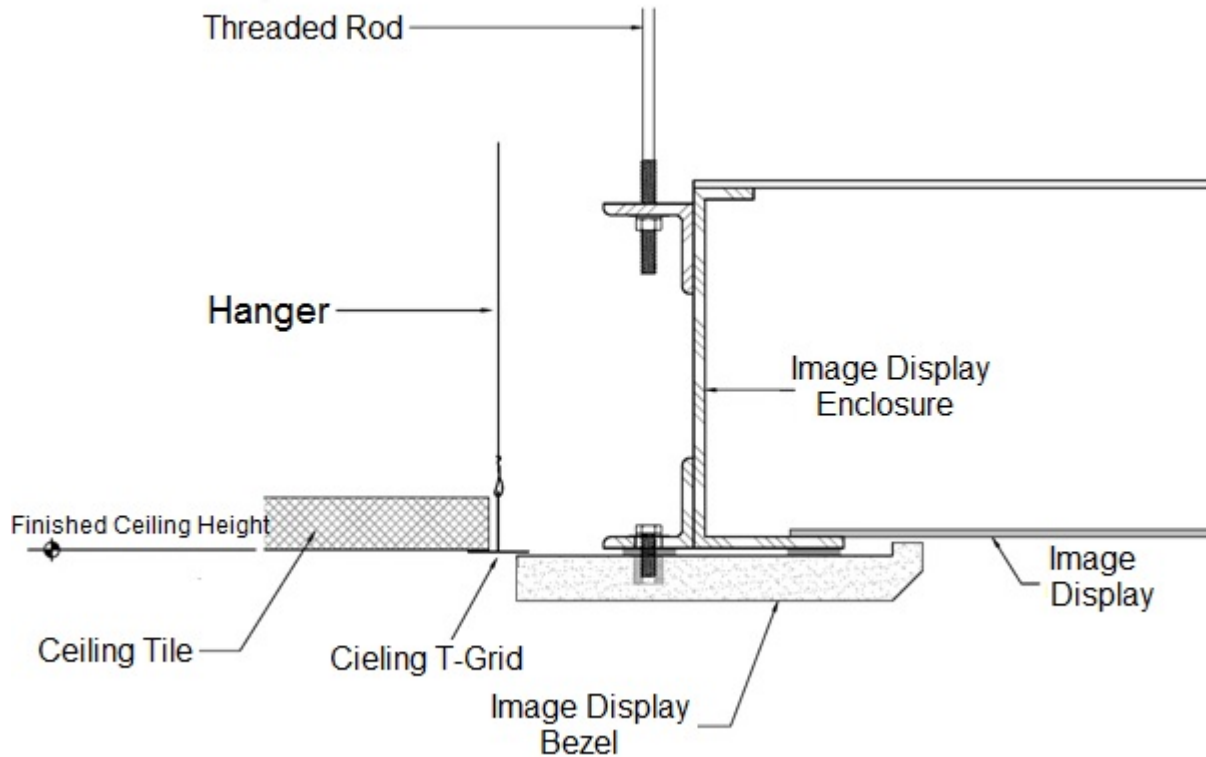
Dimensions (with Bezel): 68"l x 44"w x 4.5"d (1727 x 1118 x 114.7mm)with Bezel

Weight: 147 lbs. (66.67kg)

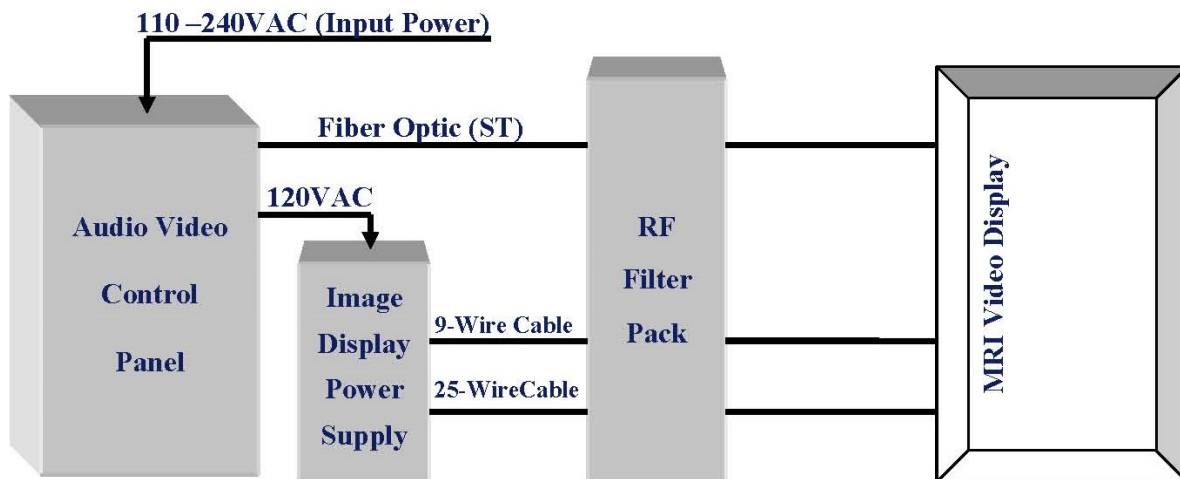


Installation Detail – Video Display

- Section Detail at Ceiling – Video Display Monitor



Circuit Diagram

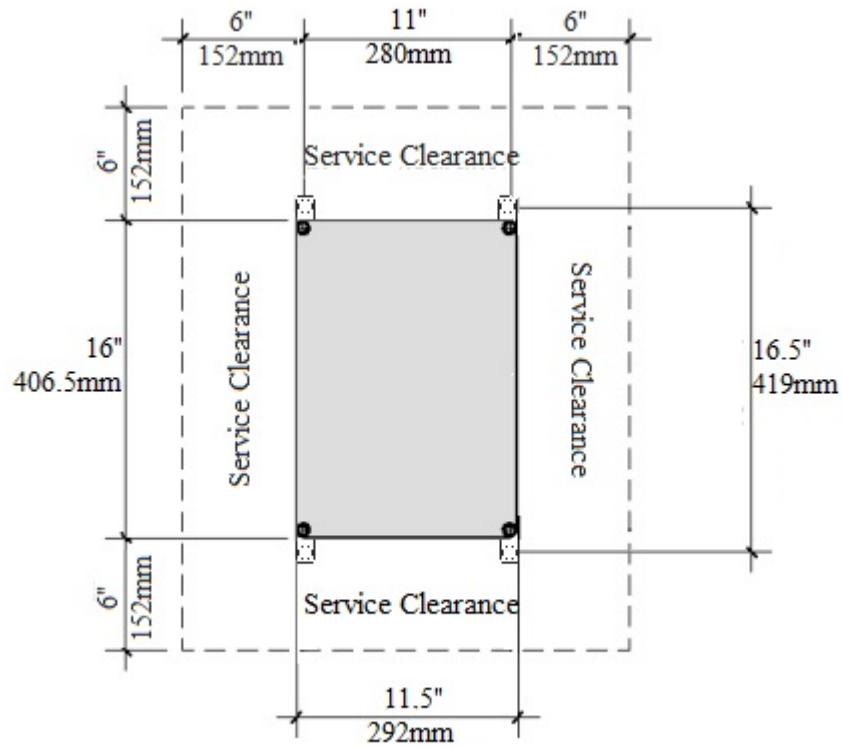


Physical Properties / Mounting – Video Display Power Supply

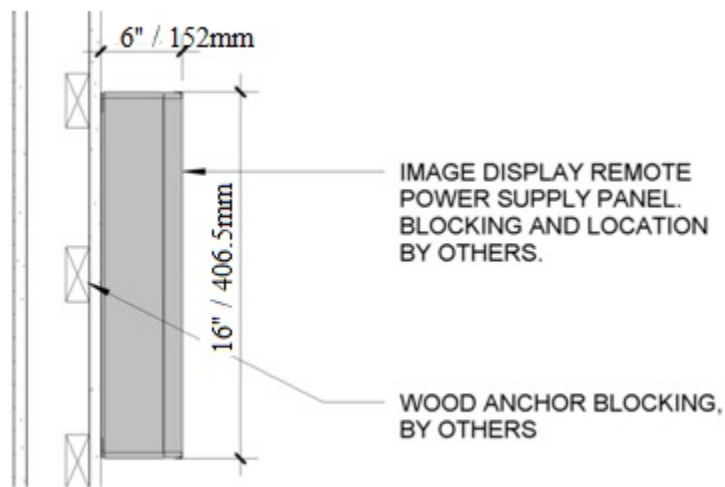
Note: Power Supply is to be mounted outside the MRI environment

Dimensions: 16"l x 11.5"w x 6"d (406.5 x 292mm x 152 mm)

Weight: 10 lbs. (4.5kg)



ELEVATION



SECTION