

Image Ceiling® MRI Compatible Systems Available



Product Description

The PDC Image Ceiling is designed for existing or new ceiling grid installations as an interior design feature. The Image Ceiling is an accent light produced from either customer supplied images or selected from the PDC image library. The PDC Image Ceiling is available in various sizes and configurations to fit most applications and is intended for use anywhere within a Healthcare Facility including MRI scan rooms.

Specifications

Image Panel

- Uniform Light Diffusing Polycarbonate
- Applied Image Graphics
- Textured Surface

Suspension Sleeve Dimensions

- 23.7 x 23.7 x 3"
- 602 x 602 x 75mm

Power Supply

- 17.5" x 9" x 4.5"
- 450 x 228 x 114mm
- Input: 100-277VAC 50/60Hz
- Max Output: 900W
- Housing: Powder Coat Aluminum
- Op Temp: 32-140°F/0-60°C

LED Light Panel Specifications

- 602 x 602 x 9mm
- 23.7" x 23.7" x 0.35"
- 36 VDC, 45 Watts, 1.1Amps
- Housing: Aluminum
- Lens: PMMA
- CRI: 90+
- Lumens: 85lm/Watt
- Temperature: 5000K

One Year Limited Warranty

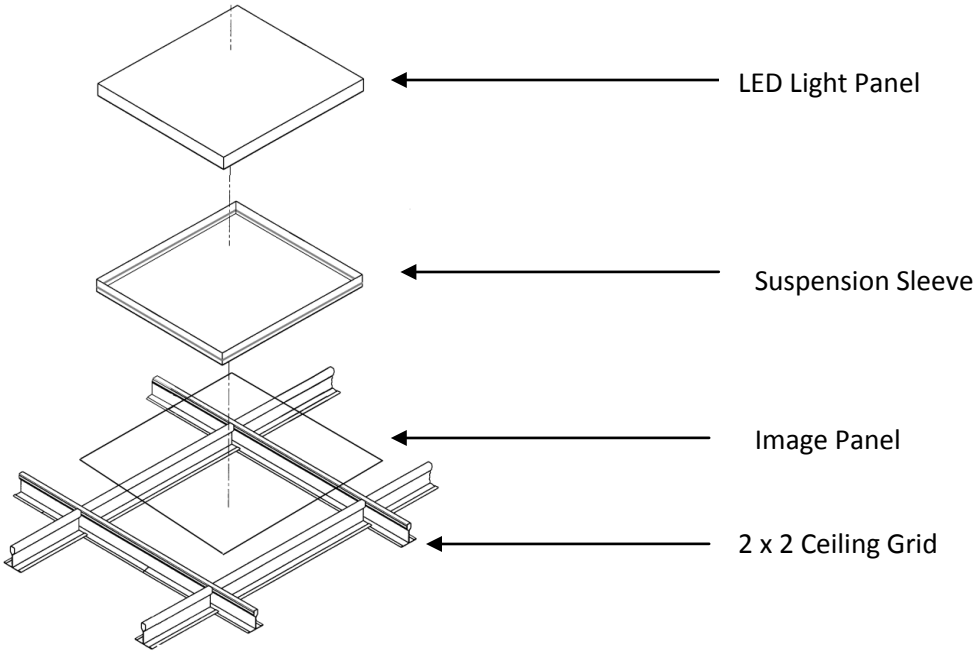
- Complete Fixture

Approval Listings

- UL Classified

* Image Ceiling is a Trademark of Sentient LLC. Hartland, WI 53029

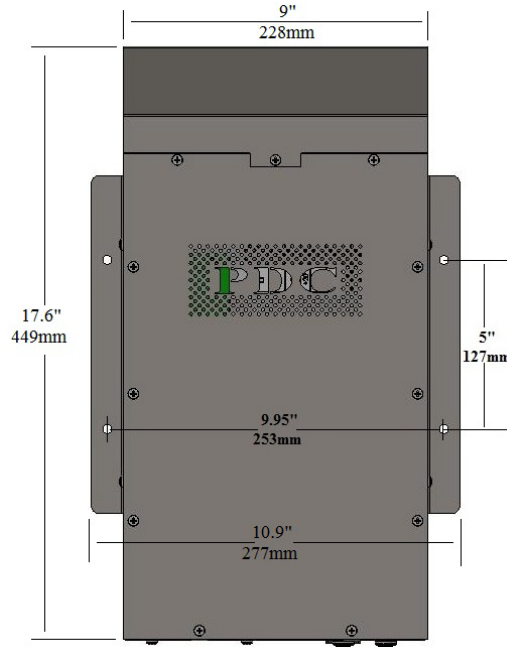
Installation Details



DC Power Supply

Note: In MRI applications, the power supply should be located outside the scan room and all wiring entering into the scan room must be appropriately filtered.

Note: The DC Power Supply requires a minimum clearance of 4" (100mm) around the entire enclosure.



* Image Ceiling is a Trademark of Sentient LLC. Hartland, WI 53029