

Full Color LED Light Panel



Product Description

A 2' x 2' (600 x 600mm) LED full color (white/red/green/blue*) recessed light panel for use within a ceiling grid as ambient, task or accent lighting. The Full Color LED Light Panel is a safe low voltage, direct current fixture for use anywhere within a Health Care Facility.

Specifications

Material

- Housing: Aluminum
- Lens: PMMA

LEDs

- Warm White/Red/Green/Blue
- Luminance (LUX) (1.5m): 700
- Color Related Temperature: 2800-7000
- Wattage: 30W

Electrical Input

- 12 VDC, 30 Watts, 2Amps
- Low Voltage 4 Pin Connector

Dimensions

- 600mm x 600mm x 1.5mm
- 23.6" x 23.6" x 0.06"

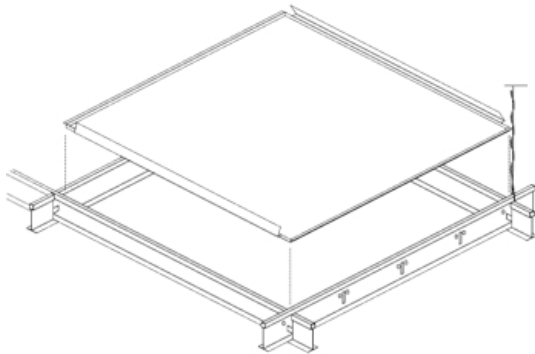
One Year Limited Warranty

- Complete Component

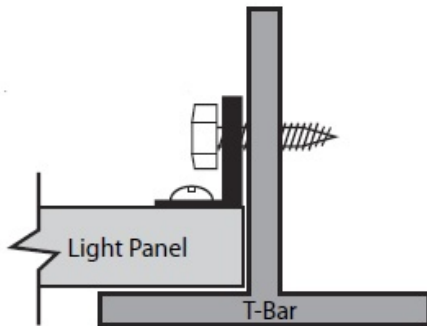
* Full Color adaptive lighting requires PDC Control System sold separately.

Panel Installation

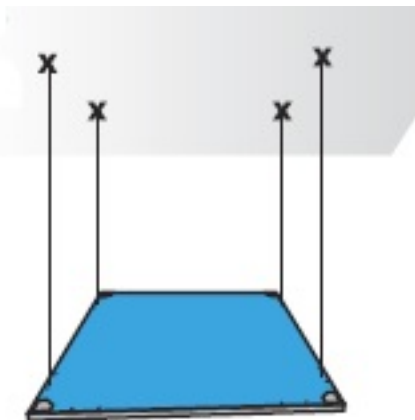
Note: Each panel should be wired in parallel not in series.



- 1) Each 2' x 2' (600mm x 600mm) panel is designed to fit into a typical 2' x 2' ceiling grid.
- 2) For 2' x 4' ceiling grid installations, a grid divider is used between LED Panels or an LED Panel and a 2' x 2' ceiling tile.



- 3) LED Panels can be secured using various methods to conform to local code requirements.
- 4) Attach the LED Panel directly to the ceiling grid T-Bar with a self tapping screw.



- 5) LED Panels can also be suspended to stable bracing above the ceiling grid.
- 6) Attach the cables to the mounting bars on the LED Panel then secure to the bracing above the ceiling grid.